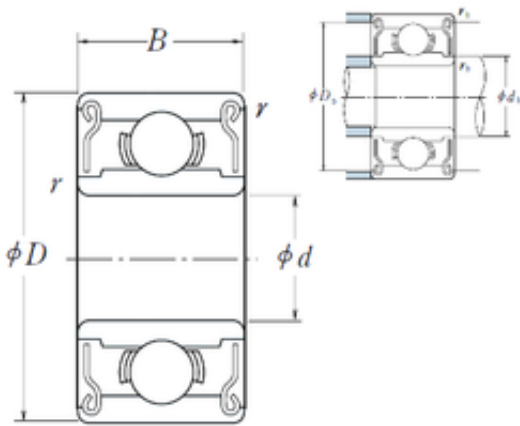




# BEARING TYCA PRIVATE LTD.



2 mm x 5 mm x 2,5 mm ISO MR52ZZ deep groove ball bearings

Bearing No. MR52ZZ

Size	2x5x2.5 mm
Bore Diameter	2 mm
Outer Diameter	5 mm
Width	2,5 mm
d	2 mm
D	5 mm
B	2,5 mm
C	2,5 mm
r min.	0,1 mm

MR52ZZ Bearing 2D drawings and 3D CAD models