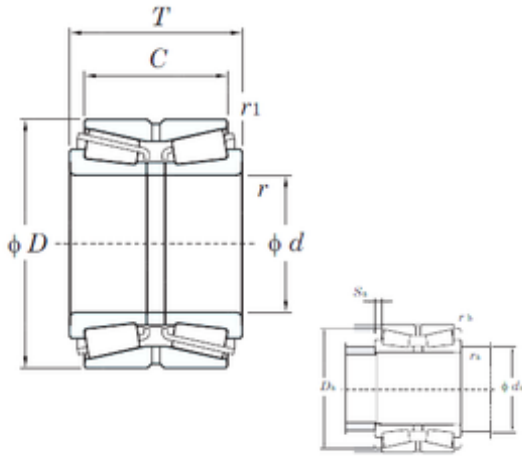




BEARING TYCA PRIVATE LTD.



KOYO 46334 tapered roller bearings

Bearing No. 46334

| | |
|-------------------------------|---------------|
| Size | 170x280x88 mm |
| Bore Diameter | 170 mm |
| Outer Diameter | 280 mm |
| Width | 88 mm |
| d | 170 mm |
| D | 280 mm |
| T | 88 mm |
| C | 78 mm |
| r min. | 3 mm |
| r1 min. | 1 mm |
| da min. | 184 mm |
| Da min | 263 mm |
| ra max. | 2,5 mm |
| rb max. | 1 mm |
| Weight | 19,8 Kg |
| Basic dynamic load rating (C) | 599 kN |
| Basic static load rating (C0) | 1050 kN |
| (Grease) Lubrication Speed | 970 r/min |
| (Oil) Lubrication Speed | 1300 r/min |
| Calculation factor (e) | 0,33 |
| Calculation factor (Y0) | 2,01 |
| Bearing No. | 46334 |
| r(min) | 3 |
| r1(min) | 1 |
| Cr | 754 |
| C0r | 1050 |

46334 Bearing 2D drawings and 3D CAD models



BEARING TYCA PRIVATE LTD.

| | |
|------------------|------|
| Cu | 62.5 |
| Grease lub. | 970 |
| Oil lub. | 1300 |
| da(min) | 184 |
| Da(min) | 274 |
| Sa(min) | 5 |
| ra(max) | 2.5 |
| rb(max) | 1 |
| e | 0.33 |
| Y2 | 2.06 |
| Y3 | 3.06 |
| Y0 | 2.01 |
| (Refer.)Mass(kg) | 19.8 |