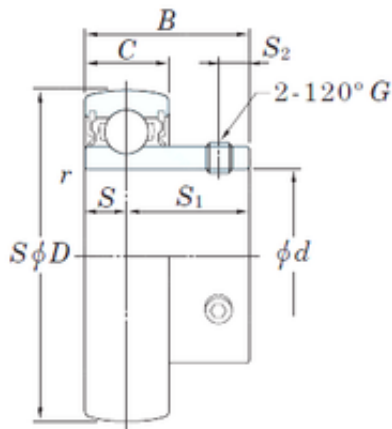




BEARING TYCA PRIVATE LTD.



15 mm x 47 mm x 31 mm KOYO UC202 deep groove ball bearings

Bearing No. UC202

Size	15x47x31 mm
Bore Diameter	15 mm
Outer Diameter	47 mm
Width	31 mm
d	15 mm
D	47 mm
B	31 mm
C	16 mm
S1	18,3 mm
r min.	0,6 mm
S	12,7 mm
S2	5 mm
Thread (G)	M6 × 0,75
Weight	0,19 Kg
Basic dynamic load rating (C)	12,8 kN
Basic static load rating (C0)	6,65 kN
Category	Bearings
Inventory	0.0
Manufacturer Name	KOYO
Minimum Buy Quantity	N/A
Weight / Kilogram	0
Product Group	M06110

UC202 Bearing 2D drawings and 3D CAD models