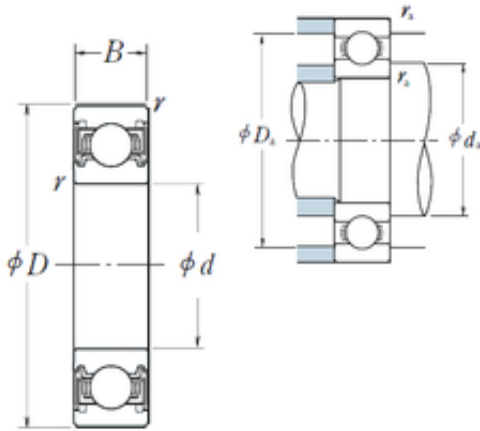




BEARING TYCA PRIVATE LTD.



80 mm x 110 mm x 16 mm NSK 6916VV deep groove ball bearings

Bearing No. 6916VV

6916VV Bearing 2D drawings and 3D CAD models

| | |
|-------------------------------|--------------------------|
| Size | 80x110x16 mm |
| Bore Diameter | 80 mm |
| Outer Diameter | 110 mm |
| Width | 16 mm |
| d | 80 mm |
| D | 110 mm |
| B | 16 mm |
| C | 16 mm |
| r min. | 1 mm |
| da min. | 85 mm |
| da max | 87,5 mm |
| Da max. | 105 mm |
| ra max. | 1 mm |
| Weight | 0,391 Kg |
| Basic dynamic load rating (C) | 25 kN |
| Basic static load rating (C0) | 24 kN |
| (Grease) Lubrication Speed | 5 600 r/min |
| Category | Single Row Ball Bearings |
| Inventory | 0.0 |
| Manufacturer Name | NSK |
| Minimum Buy Quantity | N/A |
| Weight / Kilogram | 0.38 |
| Product Group | B00308 |
| Enclosure | 2 Seals |
| Precision Class | ABEC 1 ISO P0 |



BEARING TYCA PRIVATE LTD.

| | |
|---------------------------------|--|
| Maximum Capacity / Filling Slot | No |
| Rolling Element | Ball Bearing |
| Snap Ring | No |
| Internal Special Features | No |
| Cage Material | Steel |
| Enclosure Type | Non-Contact Seal |
| Internal Clearance | C0-Medium |
| Inch - Metric | Metric |
| Long Description | 80MM Bore; 110MM Outside Diameter; 16MM Outer Race Diameter; 2 Seals; Ball Bearing; ABEC 1 ISO P0; No Filling Slot; No Snap Ring; No Internal Special Features |
| Category | Single Row Ball Bearing |
| UNSPSC | 31171504 |
| Harmonized Tariff Code | 8482.10.50.68 |
| Noun | Bearing |
| Keyword String | Ball |
| Manufacturer URL | http://www.nskamericas.com |
| Weight / LBS | 3.15 |
| Outer Race Width | 0.63 Inch 16 Millimeter |
| Bore | 3.15 Inch 80 Millimeter |
| Outside Diameter | 4.331 Inch 110 Millimeter |
| SRI | 4.52 |
| hidYobi | 6916VV |
| LangID | 1 |
| D_ | 110 |
| SREX | 0.02 |
| B_ | 16 |
| da min | 85 |
| hidTable | ecat_NSRDGB |



BEARING TYCA PRIVATE LTD.

| | |
|------------|------------|
| SRE | 4.52 |
| mass | 0.391 |
| GRS rpm | 5600 |
| ra | 1 |
| SRIX | 0.02 |
| D_a | 105 |
| SRIN | -0.02 |
| C0 | 24 |
| fo | 16.6 |
| SREN | -0.02 |
| DE_ | 103.731 |
| Prod_Type3 | DGBB_SR_VV |
| DA_ | 8.731 |
| bomp | 0 |
| Z_ | 19 |
| yobi | 6916VV |
| C_conv | 25000 |
| ALPHA_ | 0 |
| SDM_ | 95 |
| r | 1 |
| KBRG | 6151 |
| SBRG | 19 |
| DI_ | 86.269 |